

# DALI6001

12-24V DC

## Features:

- PWM output current : MAX 5A/CH
- DALI Digital control input, Dimming control LED module
- Addressing output channel
- Support Touch DIM function, and can be dimmed manually
- Dimming range is from 0-100% (LED Will start from 1% )
- Used for DC Power supply
- Over-temperature protection
- Security level : 2
- Single channel 12-24VDC constant voltage output

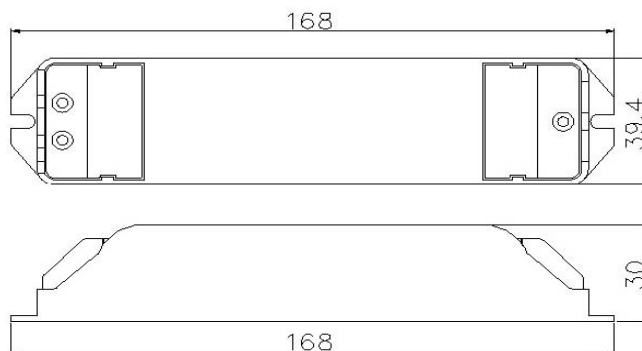


**Model** **DALI6001**

<b>Technical parameter:</b>				
<b>Parameter</b>	<b>Min.*</b>	<b>Nom.*</b>	<b>Max.</b>	<b>Unit</b>
Input voltage range	12	12-24	24	Vdc
Touch DIM AC input voltage range	5	-	290	VAC
Touch DIM AC input voltage frequency range	45	-	65	Hz
12-24 V DC Input current	-	-	5	A/ ch
Output power	0.1	1 x60-120	1 x120	W
Output voltage	12	12-24	24	Vdc
Output current	-	-	5	A/ ch
Peak current	-	-	6	A/ ch
Dimming control DALI definition		IEC62386		
Out casing temp	-	-	70	°C
Surrounding temp	-20	-	50	°C
Protection	Short circuit protection			
	Overload protection			
	Overheat protection			

\*It's available in 25°C indoor

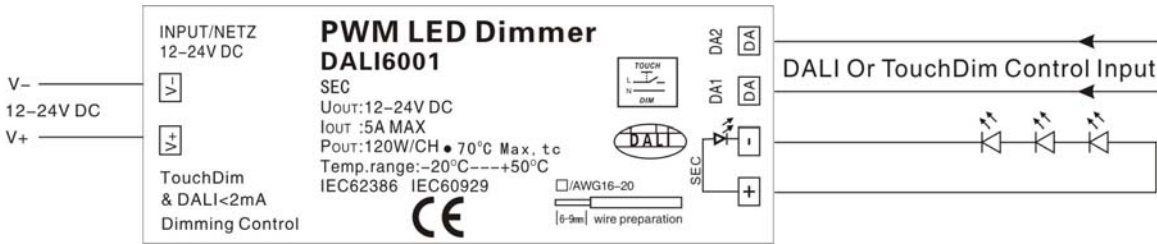
Size (mm):



Updated at 2011-10-13

DALI6001 V1.1

**Connecting:**



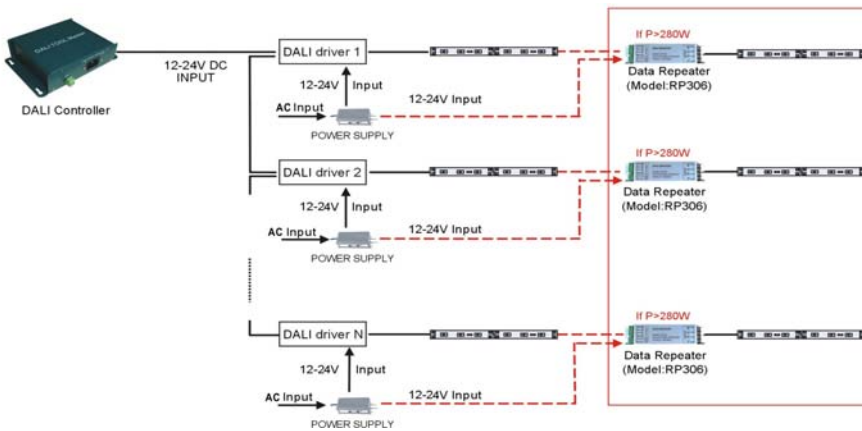
**Touch DIM function instructions:**

- 1) Short press the Touch DIM switch (<0.5s) to control the lamp on or off
- 2) Long press the Touch DIM switch (>0.5s) to dim the brightness of light; The dimming direction will change every time after pressing switch
- 3) When the light being turned off, long press the Touch DIM switch can turn on the light and adjust it's brightness according to the dimming direction
- 4) The brightness adjustment range is 1%-100%, and the light can be turned off through short pressing when do the adjustment with long pressing Touch DIM switch
- 5) Power off memory function, the power-down state before will be maintained when power on again

**Product installation notes:**

- 1) Remark: DALI and TouchDIM functions cannot be used simultaneously, which can be controlled respectively by using DALI controllers or the equipments with TouchDIM function
- 2) Please read the connecting instruction picture before installation
- 3) Please use the complete set of product according to the provided specification
- 4) Please firstly pressure the cap end down in wire connecting process, then insert the thread of wire, and lastly check the wire is or not insert firmly
- 5) In order to avoid the damage of the equipment, please check the connecting method is correct or not before connecting the power

**DALI wiring diagram:**



**TouchDIM wiring diagram:**

